

# MODUWALL

- Advanced reflector design for superb, uniform distribution
- Innovative T5 kick reflector to achieve full wall illumination
- Attractive surface T5 option
- Choice of high efficiency lamps
- Complements VDT office lighting design

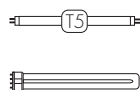
Good vertical illumination is important for all types of environments. The latest office lighting standards call for a comfortable, balanced illumination of the walls to minimise eye strain and alleviate the gloomy appearance sometimes experienced with traditional louvred luminaires, whilst retail areas require excellent illumination of shelving and wall displays to maximise sales. The expanded Moduwall range addresses the needs of all of these applications, utilizing the latest efficient light sources and carefully designed reflector profiles, to produce superb, uniform distribution. Special kick reflectors, on T5 lamp versions, ensure that the wall is illuminated up to the ceiling line.

## WHERE TO USE MODUWALL

- Shops
- VDT working areas
- Circulation and reception areas
- Notice boards
- Schools

**LAMP OPTIONS**

- 14W, 28W (HE), 24W, 54W (HO) T5 fluorescent 4000°K - G5 cap
- 40W & 55W TC-L compact fluorescent, 4000°K - 2G11 cap



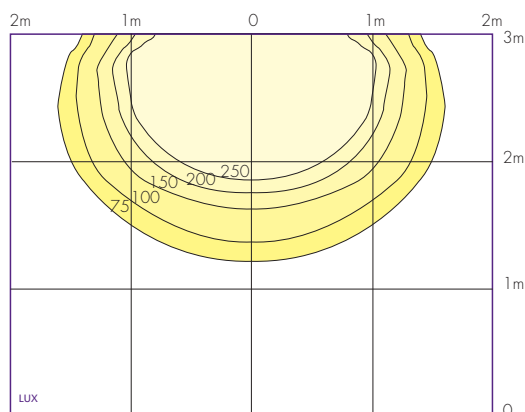
**MATERIALS**

- Body - welded, full box steel construction, powder coated in RAL 9016 finish
- TC-L optic - Trioptic grade, satin, extra low iridescence anodised aluminium
- T5 optic - Xenoptic grade, satin, zero iridescence anodised aluminium

**INSTALLATION NOTES**

- Recessed versions suitable for exposed "T" and plasterboard ceilings and supplied with adjustable tile support bracket
- Order MSBK side support arms for "draw-up" applications in exposed "T" ceilings
- Order MSBKP side support arms for plasterboard ceilings
- Contact Technical Support for compatibility with other ceilings
- Surface version suitable for direct fix
- 3 way, 2 x 2.5mm<sup>2</sup> terminal block
- Optical assembly on TC-L versions retained by wishbone springs for secure and optically accurate location. Hangs for hands free re-lamping
- Supplied complete with lamps

**PHOTOMETRIC DATA**



Wall Isolux  
 Moduwall T5 Surface  
 MWS128Z  
 28W T5 (HE)  
 Mounting height = 3m  
 Wall offset = 0.9m

See page 422 for Design Guide

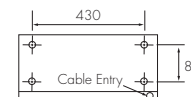
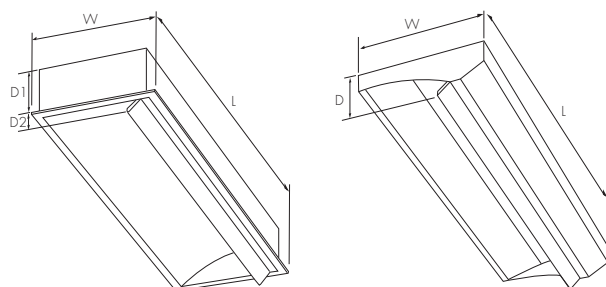
**OPTIONS**

- High frequency control gear as standard
- HF regulating versions on request
- Recessed versions available fitted with pre-wired socket to suit Connect rapid wiring system. Add suffix 'CX' to catalogue number
- See page 98 for details of Connect wiring system

**SPECIFICATION**

To specify state: Recessed/Surface asymmetric wall washer luminaire, of full box welded construction with post coat powder paint, RAL 9016 finish, with high performance, uniform distribution asymmetric reflector in high efficiency satin Xenoptic/Trioptic anodised aluminium, retained by wishbone springs, as Crompton Moduwall range, part no. \_\_\_\_\_

**DIMENSIONS**



Lamp Rating	L (mm)	W (mm)	D/D1 (mm)	D2 (mm)	Cable Entry Point
<b>Recessed</b>					
1 x 40/55W TC-L	597	225	100	-	B
2 x 40/55W TC-L	1197	225	100	-	C
1 x 14/24W T5	597	174	80	20	A
1 x 28/54W T5	1197	174	80	20	A
<b>Surface</b>					
1 x 14/24W T5	590	200	77	-	-
1 x 28/54W T5	1190	200	77	-	-

# MODUWALL

## CATALOGUE NUMBERS

Luminaire Lamp Rating	Gear Option	Cat. No.	Weight (kg)
<b>Moduwall Recessed</b>			
1 x 40W TC-L	High frequency	MW140Z	3.5
1 x 55W TC-L	High frequency	MW155Z	3.5
2 x 40W TC-L	High frequency	MW240Z	6.7
2 x 55W TC-L	High frequency	MW255Z	6.7
1 x 14W T5 (HE)	High frequency	MWR114Z	2.5
1 x 28W T5 (HE)	High frequency	MWR128Z	5.6
1 x 24W T5 (HO)	High frequency	MWR124Z	2.5
1 x 54W T5 (HO)	High frequency	MWR154Z	5.6

Luminaire Lamp Rating	Gear Option	Cat. No.	Weight (kg)
<b>Moduwall Surface</b>			
1 x 14W T5 (HE)	High frequency	MWS114Z	2.5
1 x 28W T5 (HE)	High frequency	MWS128Z	5.6
1 x 24W T5 (HO)	High frequency	MWS124Z	2.5
1 x 54W T5 (HO)	High frequency	MWS154Z	5.6



Moduwall TC-L recessed



Moduwall T5 surface