

- Continuous or individually mounted
- Stylish profile in silver-grey or white finish
- Direct/indirect light distribution
- High efficiency T5 lamps
- 65°-1000cd/m² and general purpose satin louvres
- Adjustable suspension, via simple clutch mechanism
- Pre-wired for rapid installation



Synthesis is a stylish addition to the designer's choice for balanced light distribution in any interior application. Constructed from extruded aluminium, the elegantly curved slim line profile is only 66mm deep and available in a choice of silver-grey or white finish. Where ceiling heights are restricted, the luminaires can be close mounted using the two 1.5 metre yoked suspension wires supplied, which are easily adjusted to length via an ingenious yet simple clutch mechanism. Suitable for individually or continuous mounting, Synthesis can aesthetically compliment a variety of applications while providing excellent direct/indirect light. A wide distribution lens ensures uniform upward illumination and when specified with the 65°-1000cd/m² louvre, Synthesis is an excellent constituent of VDT office lighting design.

WHERE TO USE SYNTHESIS

- Offices
- VDT working areas
- Call centres
- Board rooms
- Reception areas
- Conference rooms
- Universities, schools and colleges
- Retail

SYNTHESIS

LAMP OPTIONS

- 28W, 35W (HE) T5 fluorescent, 4000°K - G5 cap



MATERIALS

- Extruded/cast aluminium body & endcaps, RAL9016 white or RAL 9006 silver-grey finish
- Xenoptic grade, satin finish, zero iridescence, anodised aluminium louvre
- Extruded clear TPA lens with linear prisms

INSTALLATION NOTES

- Close ceiling mount or suspension, via 2 x adjustable wire kits (supplied)
- Mounting kit top plate secured to ceiling by single screw
- Wires clip into body, via anti-displacement slots
- Height adjusted at yoke via simple clutch mechanism
- Start/end of run only, not intermediates
- Simple plug and play connection system for continuous mount versions
- Fused as standard
- Lens and louvre supplied pre-fitted
- Supplied complete with lamps

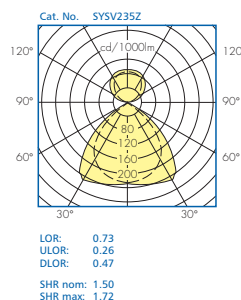
OPTIONS

- Individual mount luminaires
- Continuous systems constructed from start/end and mid section luminaires
- 90 degree corner and dummy modules
- HF regulating versions on request
- Fully integral emergency conversion, 3 hour duration
- Intellem self test emergency versions available

SPECIFICATION

To specify state: Architectural suspended/close mount luminaire, shallow profile extruded aluminium body, suitable for individual or continuous mounting, 66mm deep and die cast end caps, with 65°-1000cd/m²/ribbed cross blade Xenoptic satin, zero iridescence louvre direct, retained by shootbolts and linear prism lens indirect, pre-wired and supplied with suspension kits, adjusted by a clutch mechanism for rapid installation as Crompton Synthesis range, part no. _____

PHOTOMETRIC DATA

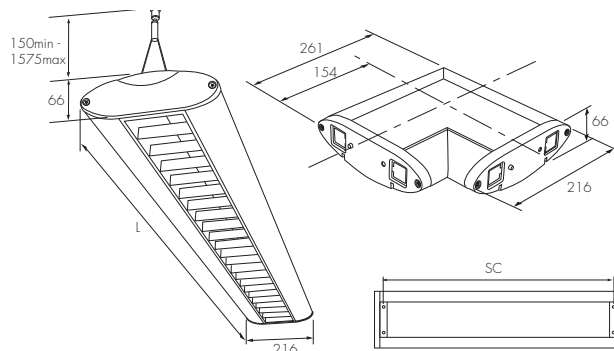


Utilisation factors / TMS

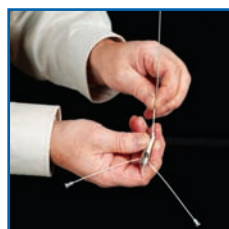
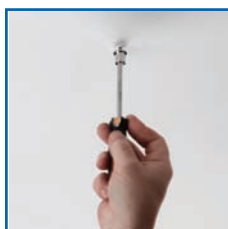
Reflectances			Room Index								
C	W	F	0.75	1.0	1.25	1.5	2.0	2.5	3.0	4.0	5.0
70	50	20	45	51	55	58	62	64	66	68	70
30	41	47	51	54	59	62	64	66	66	68	68
10	38	44	48	52	56	59	61	64	64	66	66
50	50	20	42	47	50	53	56	58	59	61	62
30	39	44	47	50	53	56	57	59	61	61	61
10	36	41	45	48	51	54	56	58	60	60	60
30	50	20	39	43	46	47	50	52	53	54	55
30	36	40	43	46	48	50	51	53	54	54	54
10	34	38	42	44	47	49	50	52	53	53	53
0	0	0	31	34	36	38	40	41	42	43	44
BZ-class			1	1	1	1	1	1	1	1	1

See page 422 for Design Guide

DIMENSIONS



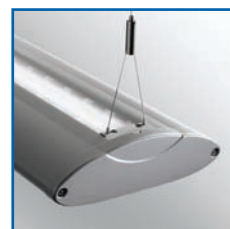
Lamp Rating	L (mm)	SC (mm)
Individual & Continuous start/end		
2 x 28W	1207	1139
2 x 35W	1507	1439
Continuous mid section		
2 x 28W	1207	1139
2 x 35W	1507	1439
Dummy modules		
300mm	300	-
600mm	600	-
900mm	900	-



**IP20****CATALOGUE NUMBERS**

Lamp Rating	Colour Finish	Louvre	Cat. No.	Weight (kg)	Emergency Cat. No.	Weight (kg)
Synthesis - individual						
2 x 28W	Silver Grey	65° - 1000cd/m ²	YSV228Z	7.4	EBSYSV228Z	8.1
2 x 35W	Silver Grey	65° - 1000cd/m ²	YSV235Z	7.9	EBSYSV235Z	8.6
2 x 28W	White	65° - 1000cd/m ²	YW228Z	7.4	EBSYVW228Z	8.1
2 x 35W	White	65° - 1000cd/m ²	YW235Z	7.9	EBSYVW235Z	8.6
2 x 28W	Silver Grey	Ribbed cross blade	YSR228Z	7.3	EBSYSR228Z	8.0
2 x 35W	Silver Grey	Ribbed cross blade	YSR235Z	7.8	EBSYSR235Z	8.5
2 x 28W	White	Ribbed cross blade	YWR228Z	7.3	EBSYWR228Z	8.0
2 x 35W	White	Ribbed cross blade	YWR235Z	7.8	EBSYWR235Z	8.5
Synthesis - continuous start/end						
2 x 28W	Silver Grey	65° - 1000cd/m ²	YESV228Z	7.4	EBSYESV228Z	8.1
2 x 35W	Silver Grey	65° - 1000cd/m ²	YESV235Z	7.9	EBSYESV235Z	8.6
2 x 28W	White	65° - 1000cd/m ²	YEW228Z	7.4	EBSYEW228Z	8.1
2 x 35W	White	65° - 1000cd/m ²	YEW235Z	7.9	EBSYEW235Z	8.6
2 x 28W	Silver Grey	Ribbed cross blade	YESR228Z	7.3	EBSYESR228Z	8.0
2 x 35W	Silver Grey	Ribbed cross blade	YESR235Z	7.8	EBSYESR235Z	8.5
2 x 28W	White	Ribbed cross blade	YEW228Z	7.3	EBSYEW228Z	8.0
2 x 35W	White	Ribbed cross blade	YEW235Z	7.8	EBSYEW235Z	8.5
Synthesis - continuous mid section						
2 x 28W	Silver Grey	65° - 1000cd/m ²	YCSV228Z	7.1	EBSYCSV228Z	7.8
2 x 35W	Silver Grey	65° - 1000cd/m ²	YCSV235Z	7.6	EBSYCSV235Z	8.3
2 x 28W	White	65° - 1000cd/m ²	YCWW228Z	7.1	EBSYCW228Z	7.8
2 x 35W	White	65° - 1000cd/m ²	YCWW235Z	7.6	EBSYCW235Z	8.3
2 x 28W	Silver Grey	Ribbed cross blade	YCSR228Z	7.0	EBSYCSR228Z	7.7
2 x 35W	Silver Grey	Ribbed cross blade	YCSR235Z	7.5	EBSYCSR235Z	8.2
2 x 28W	White	Ribbed cross blade	YCWR228Z	7.0	EBSYCW228Z	7.7
2 x 35W	White	Ribbed cross blade	YCWR235Z	7.5	EBSYCW235Z	8.2
Synthesis - continuous mid section						
Length	Silver Grey Cat. No.	White Cat. No.	Weight (kg)			
300mm	SYDS300	SYDW300	1.7			
600mm	SYDS600	SYDW600	3.0			
900mm	SYDS900	SYDW900	4.4			
90° corner	SYCS90	SYCW90	1.7			

Emergency versions available with automatic testing functionality - see page 188 for system features
 Contact our Technical Support and Application department for further details - 01302 303350

**SYNTHESIS**