

- Slim contemporary design
- Visible body depth of only 39mm
- Continuous or individually mounted
- Direct/Indirect light distribution
- 65°-1000cd² and general purpose satin louvres
- Silver-grey or white finish
- Adjustable suspension, via simple clutch mechanism

Laserline's sleek, clean lines provide a lighting solution designed to blend in with modern interiors and architecture. Purposely developed to capitalise on the slimness of T5 lamp technology, its main visible body section is only 39mm deep. Direct downward distribution is via a choice of 65°-1000cd/m² or general purpose satin louvres, with upward indirect distribution via a wide angle linear prism lens. Laserline can be specified as standalone luminaires or as a continuous system for linear runs with a simple plug and play connection system. Supplied complete are two 1.5m yoked suspension kits with an incredibly simple adjustment mechanism with the ability to close mount 150mm from the ceiling. Laserline provides the ideal solution to meet today's energy efficiency and lighting design requirements, without compromising aesthetics and performance.



WHERE TO USE LASERLINE

- Offices
- VDT working areas
- Call centres
- Board rooms
- Reception areas
- Conference rooms
- Universities, schools and colleges
- Retail

LASERLINE

LAMP OPTIONS

- 28W, 35W (HE) T5 fluorescent, 4000°K - G5 cap



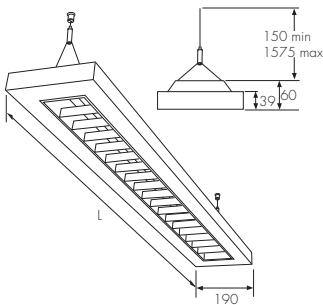
MATERIALS

- Sheet steel constructed body & endcaps, RAL 9016 white or RAL 9006 silver-grey finish
- Xenoptic grade, satin finish, zero iridescence, anodised aluminium louvre
- Extruded clear TPA lens with linear prisms

INSTALLATION NOTES

- Close ceiling mount or suspension, via 2 x adjustable wire kits (supplied)
- Mounting kit top plate secured to ceiling by single screw
- Wires clip into body, via anti-displacement slots
- Height adjusted at yoke via simple clutch mechanism
- Body pre-wired with 2m flying lead
- Simple plug and play connection system for continuous mount version
- Fused as standard
- Lens and louvre supplied prefitted
- Supplied complete with lamps

DIMENSIONS



Lamp Rating	L (mm)	SC(mm)
Individual & Continuous		
2 x 28W	1288	1153
2 x 35W	1588	1453
Dummy Modules		
300mm	300	-
600mm	600	-
900mm	900	-



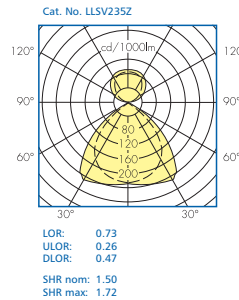
OPTIONS

- Individual mount luminaires
- Continuous systems constructed from start/end and mid section luminaires
- HF regulating versions on request
- Fully integral emergency conversion, 3 hour duration
- Intellem self test emergency versions available

SPECIFICATION

To specify state: Architectural suspended individual/continuous mount luminaire, shallow profile post coated steel body and endcaps, 60mm deep with 65°-1000cd/m²/ribbed cross blade Xenoptic satin, zero iridescence louvre, retained by shootbolts and linear prism lens, pre-wired and supplied with suspension kits allowing close mounting, adjusted by a clutch mechanism for rapid installation as Crompton Laserline range, part no. _____

PHOTOMETRIC DATA



Utilisation factors / TMS

Reflectances			Room Index								
C	W	F	0.75	1.0	1.25	1.5	2.0	2.5	3.0	4.0	5.0
70	50	20	45	51	55	58	62	64	66	68	70
30			41	47	51	54	59	62	64	66	68
10			38	44	48	52	56	59	61	64	66
50	50	20	42	47	50	53	56	58	59	61	62
30			39	44	47	50	53	56	57	59	61
10			36	41	45	48	51	54	56	58	60
30	50	20	39	43	46	47	50	52	53	54	55
30			36	40	43	46	48	50	51	53	54
10			34	38	42	44	47	49	50	52	53
0	0	0	31	34	36	38	40	41	42	43	44
BZ-class			1	1	1	1	1	1	1	1	1

See page 422 for Design Guide



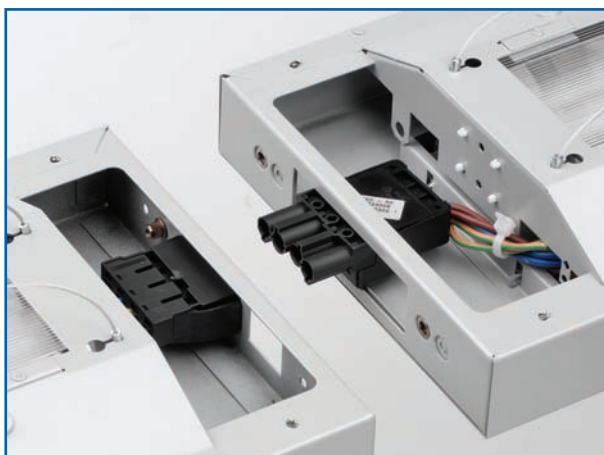
Direct downward light control



Indirect upward light control

**IP20****CATALOGUE NUMBERS**

Lamp Rating	Colour Finish	Louvre	Cat. No.	Weight (kg)	Emergency Cat. No.	Weight (kg)
Laserline - individual						
2 x 28W	Silver Grey	65° - 1000cd/m ²	LLSV228Z	4.4	EBLLSV228Z	5.4
2 x 35W	Silver Grey	65° - 1000cd/m ²	LLSV235Z	4.9	EBLLSV235Z	5.5
2 x 28W	White	65° - 1000cd/m ²	LLVW228Z	4.4	EBLLVW228Z	5.4
2 x 35W	White	65° - 1000cd/m ²	LLVW235Z	4.9	EBLLVW235Z	5.5
2 x 28W	Silver Grey	Ribbed cross blade	LLSR228Z	4.3	EBLLSR228Z	5.3
2 x 35W	Silver Grey	Ribbed cross blade	LLSR235Z	4.8	EBLLSR235Z	5.8
2 x 28W	White	Ribbed cross blade	LLVR228Z	4.3	EBLLVR228Z	5.3
2 x 35W	White	Ribbed cross blade	LLVR235Z	4.8	EBLLVR235Z	5.8
Laserline - continuous start/end						
2 x 28W	Silver Grey	65° - 1000cd/m ²	LLESV228Z	4.4	EBLLESV228Z	5.4
2 x 35W	Silver Grey	65° - 1000cd/m ²	LLESV235Z	4.9	EBLLESV235Z	5.5
2 x 28W	White	65° - 1000cd/m ²	LLEWV228Z	4.4	EBLLEWV228Z	5.4
2 x 35W	White	65° - 1000cd/m ²	LLEWV235Z	4.9	EBLLEWV235Z	5.5
2 x 28W	Silver Grey	Ribbed cross blade	LLESR228Z	4.3	EBLLESR228Z	5.3
2 x 35W	Silver Grey	Ribbed cross blade	LLESR235Z	4.8	EBLLESR235Z	5.8
2 x 28W	White	Ribbed cross blade	LLEWR228Z	4.3	EBLLEWR228Z	5.3
2 x 35W	White	Ribbed cross blade	LLEWR235Z	4.8	EBLLEWR235Z	5.8
Laserline - continuous mid section						
2 x 28W	Silver Grey	65° - 1000cd/m ²	LLCSV228Z	4.4	EBLLCSV228Z	5.4
2 x 35W	Silver Grey	65° - 1000cd/m ²	LLCSV235Z	4.9	EBLLCSV235Z	5.5
2 x 28W	White	65° - 1000cd/m ²	LLCWV228Z	4.4	EBLLCWV228Z	5.4
2 x 35W	White	65° - 1000cd/m ²	LLCWV235Z	4.9	EBLLCWV235Z	5.5
2 x 28W	Silver Grey	Ribbed cross blade	LLCSR228Z	4.3	EBLLCSR228Z	5.3
2 x 35W	Silver Grey	Ribbed cross blade	LLCSR235Z	4.8	EBLLCSR235Z	5.8
2 x 28W	White	Ribbed cross blade	LLCWR228Z	4.3	EBLLCWR228Z	5.3
2 x 35W	White	Ribbed cross blade	LLCWR235Z	4.8	EBLLCWR235Z	5.8
Laserline - continuous mid section dummy modules						
Length	Silver Grey Cat No.	White Cat No.	Weight (kg)			
300mm	LLDS300	LLDW300	0.9			
600mm	LLDS600	LLDW600	1.8			
900mm	LLDS900	LLDW900	2.7			



Plug and play connection



Rear access panels

LASERLINE