

- Ultra-high performance optics - 97% LOR
- Easy to install first fix mounting plate
- Simple plug and socket connection
- Separate switching option as standard
- Optional wire guard for sports halls
- Intellem self-test emergency

Lineryy offers a modern alternative for retail, sport and industrial installations at high and low mounting heights, where traditionally discharge luminaires are used. Benefits such as instant illumination, excellent colour rendering, white light appearance and emergency lighting are possible, alongside outstanding efficiency, thanks to the advanced design reflector system. Linergy is supplied with separate switching as standard, via a removable link, allowing differing light level selection for working, trading and cleaning periods. Easy to install, with a first fix mounting plate plus plug and socket connection, Linergy delivers new levels of light quality for a wide variety of applications.



WHERE TO USE LINERGY

- Retail
- Sports halls
- Industrial units
- Workshops
- Factories
- Exhibition halls
- Warehouses
- Supermarkets
- DIY superstores

LINERGY

LAMP OPTIONS

- 54W (HO), 80W (HO) T5 fluorescent, 4000°K - G5 cap



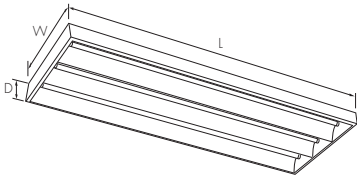
MATERIALS

- Body and mounting kits - welded, full box steel construction, powder coated in Permawhite finish
- Reflectors - Xenoptic grade, satin finish, zero iridescence, anodised aluminium
- Wire guard - heavy gauge zinc plated steel, 25mm grid size

INSTALLATION NOTES

- Suitable for ceiling, conduit, chain, rod and trunking mounting
- 2 part mounting plate provides mechanical/electrical first fix
- 2 x BESA fixings on upper mounting plate
- 5 way, 2 x 2.5mm² terminal block
- Lower mounting plates secured to body by screws
- Body then simply hooks onto upper mounting plate
- Electrical connection to body via plug and socket
- Fused as standard
- Delivered and installed with lamps and reflectors in-situ
- Wire guard is retrofit, secured by screws
- Supplied complete with lamps

DIMENSIONS



Lamp Rating	L (mm)	W (mm)	D (mm)
4 x 54W	1194	284	92
6 x 54W	1194	416	92
4 x 80W	1494	284	92

Note: Mounting bracket adds 75mm to overall depth

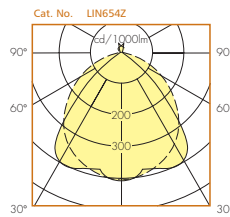
OPTIONS

- High frequency control gear as standard
- HF regulating versions on request
- Separate switching of lamps as standard by removal of link wire on terminal block during installation
- Fully integral emergency conversion, 3 hour duration
- Intellem self test emergency versions available
- Suitable for use on defined escape routes
- Rack reflector version available to special order
- Top cowl for sports hall applications available to special order

SPECIFICATION

To specify state: Surface mounted, F marked high/low bay luminaire, of full box welded construction with post coat powder paint, Permawhite finish, installed via first fix mounting plate with plug and socket connection to body, high performance Xenoptic satin reflectors and T5 high output lamps, as Crompton Linergy range, part no. _____

PHOTOMETRIC DATA

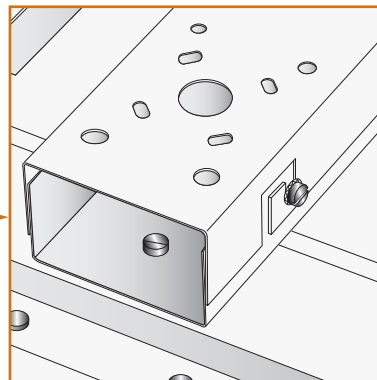
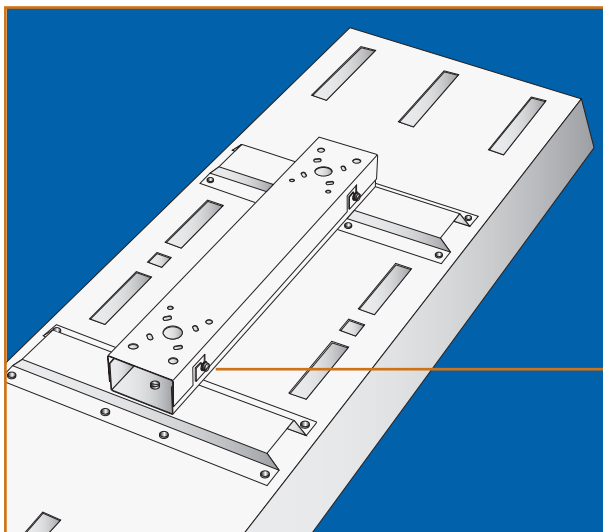


LOR: 0.97
ULOR: 0.04
DLOR: 0.93
SHR nom: 1.50
SHR max: 1.68

Utilisation factors / TMS

Reflectances			Room Index								
C	W	F	0.75	1.0	1.25	1.5	2.0	2.5	3.0	4.0	5.0
70	50	20	66	74	81	85	91	95	97	100	102
30	60	68	75	80	86	90	93	97	100		
	10	56	64	71	76	83	87	90	95	98	
50	50	20	64	72	78	82	87	91	93	96	98
30	60	67	73	78	84	87	90	93	96		
	10	55	63	69	74	80	85	87	91	94	
30	50	20	63	70	75	79	84	87	89	92	93
30	30	58	65	71	76	81	84	87	90	92	
	10	54	62	68	73	78	82	85	88	90	
0	0	0	52	59	65	69	74	78	80	83	85
			BZ-class	2	2	2	2	2	2	2	2

See page 422 for Design Guide



Detail of Mounting Plate



IP20



CATALOGUE NUMBERS

Lamp Rating	Cat. No.	Weight (kg)	Emergency Cat. No.	Weight (kg)
4 x 54W	LIN454Z	7.30	EBLIN454Z	8.63
6 x 54W	LIN654Z	9.80	EBLIN654Z	11.13
4 x 80W	LIN480Z	7.50	EBLIN480Z	9.53

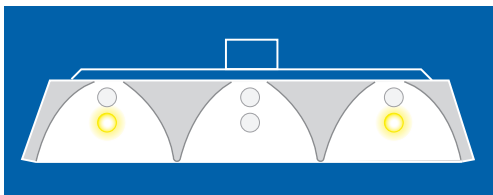
Description	Cat. No.	Weight (kg)
Wire guard - 4 lamp 54W	LIN4WG	1.4
Wire guard - 6 lamp	LIN6WG	1.8
Wire guard - 4 lamp 80W	LIN480WG	1.75

Emergency versions available with automatic testing functionality - see page 189 for system features
 Contact our Technical Support and Application department for further details, telephone 01302 303350

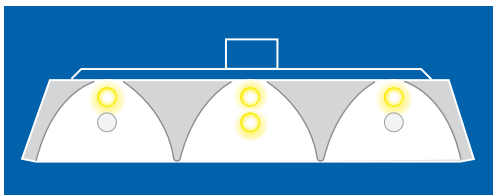
SWITCHING OPTIONS

All Linergy luminaires are fitted with a 5 way terminal block, allowing 2 x switched Live connections to be made for separate switching options if required (L1 and L2)

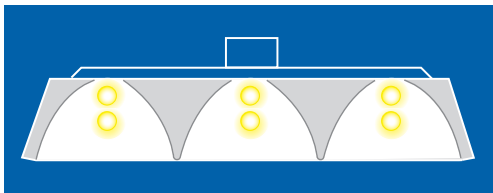
6 Lamp Luminaire - 3 Switching Levels



L1 switch energised - 33% light output

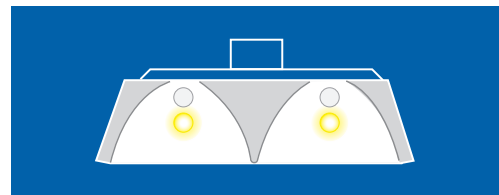


L2 switch energised - 66% light output

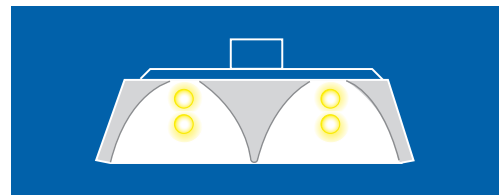


L1 & L2 switches energised - 100% light output

4 Lamp Luminaire - 2 Switching Levels



L1 switch energised - 50% light output



L1 & L2 switches energised - 100% light output

Notes:

- Both live terminals must be connected to a single phase supply, or same phase of a 3-phase supply
- Linerigy is supplied with a link fitted between L1 and L2 terminals. This must be removed if separate switching of lamps is required.